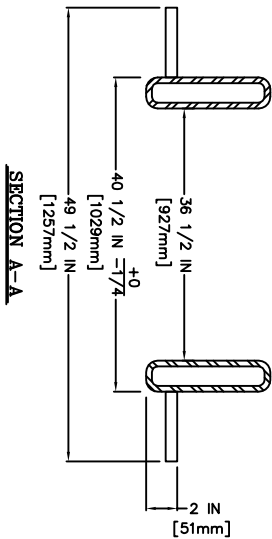
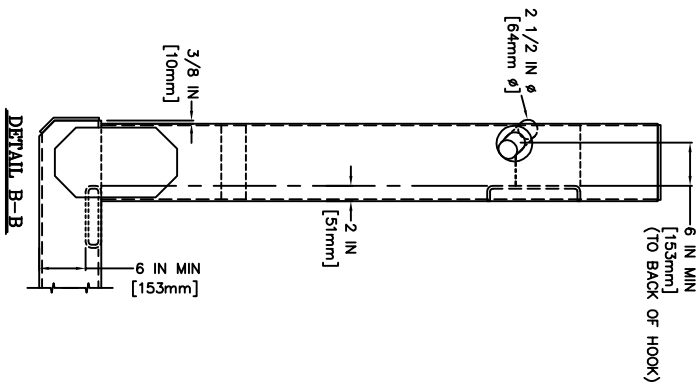
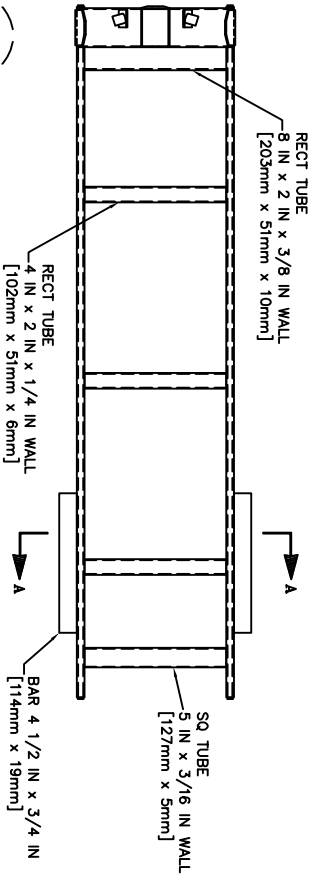
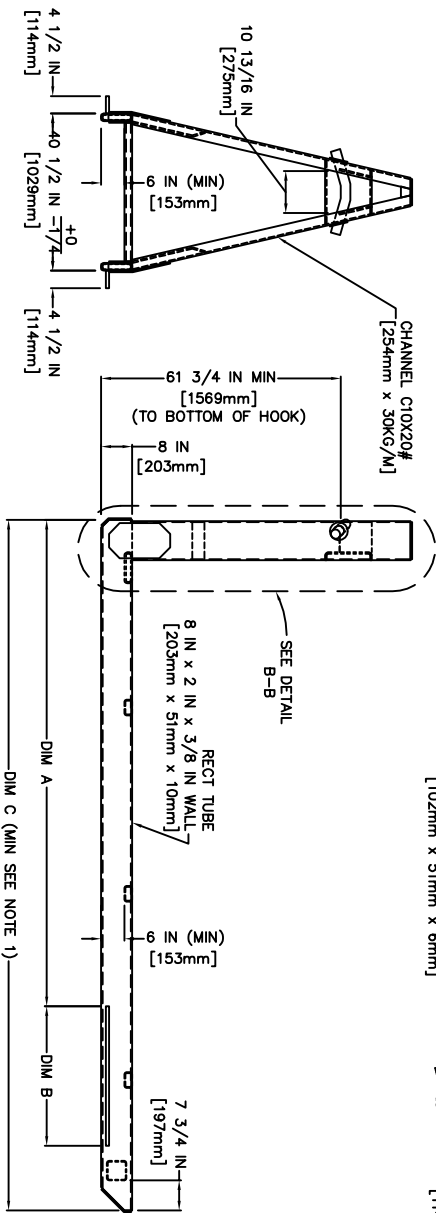


HOIST	DIM A	DIM B	DIM C
SL-375 / SL-505	156 3/8 IN [3972mm]	48 IN [1219mm]	229 IN [5817mm]
SL-330 / SL-400	125 3/8 IN [3185mm]	36 IN [915mm]	178 IN [4521mm]
SL-405 / SL-545	134 3/8 IN [3413mm]	48 IN [1219mm]	211 IN [5360mm]
SL-650 / SL-655	156 3/8 IN [3972mm]	48 IN [1219mm]	248 IN [6300mm]



**NOTE:**  
THIS DRAWING PROVIDES THE CRITICAL SUBFRAME DIMENSIONS FOR COMPATIBILITY WITH THE SWAPLOADER HOOK LIFT HOIST. IT IS THE SUBFRAME SUPPLIER'S RESPONSIBILITY TO PROVIDE A SUBFRAME OF SUFFICIENT CAPACITY WHICH PROPERLY SUPPORTS THE BODY/CONTAINER WHEN USED WITH THE HOOK LIFT HOIST.



**NOTE**  
1. MIN LENGTH FOR JIB FULLY EXTENDED

NO.	REVISION	DATE	BY
C	ADDED SL-650 DIMS	5/08/01	DBS
B	ADDED SL-330 DIMS	7/29/02	DBS
A	ADDED MIN DIMS	6/27/00	R.S.

TITLE: 400 SERIES SUBFRAME DIMENSIONS  
 3/8" ±1/2" R.S. 3/10/97 5-289 C