



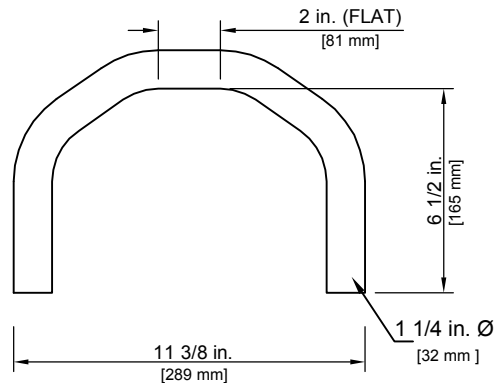
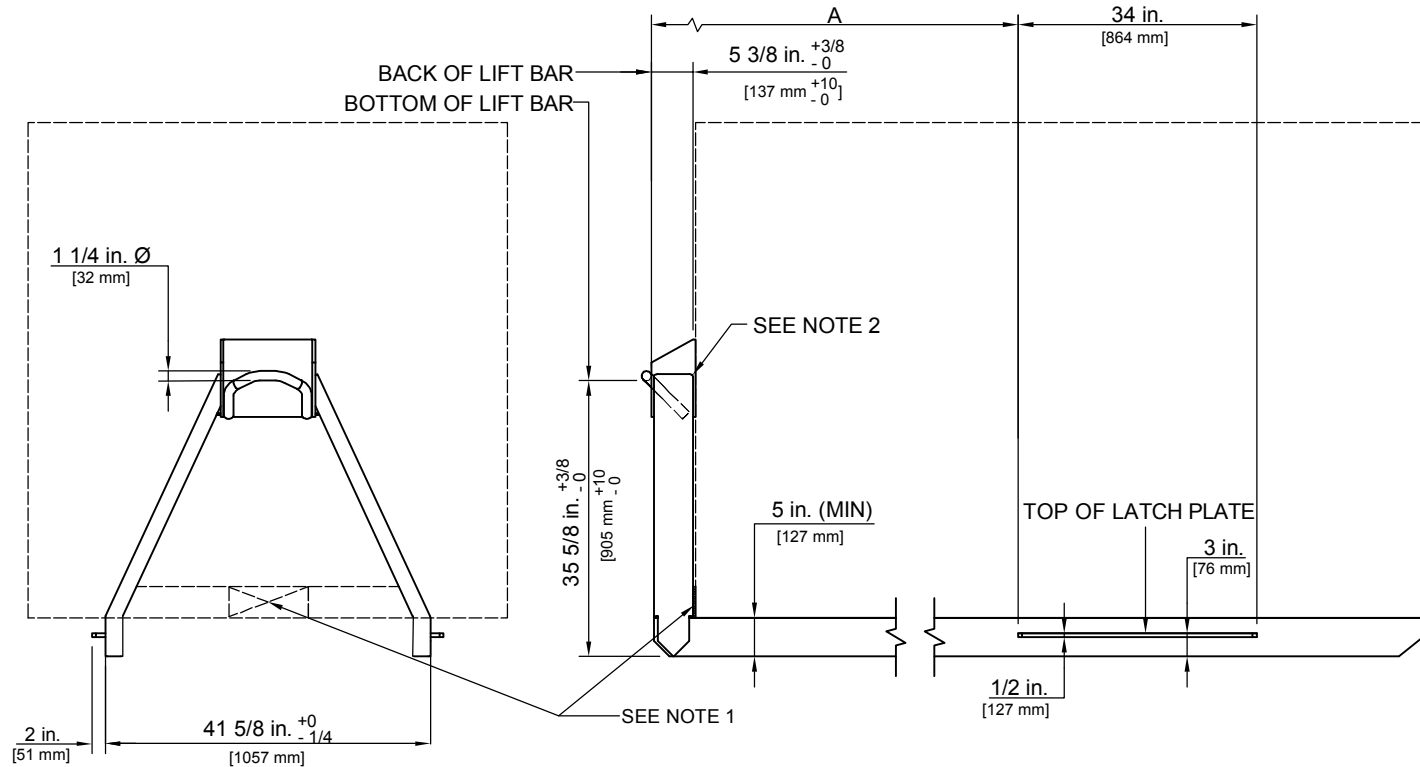
An EFCO Company

SWAPLOADER®

"Hooked on Quality"

U.S.A. LTD.

100 SERIES SUB-FRAME CRITICAL DIMENSIONS



LIFT BAR DETAIL


NOTES

1.) A STRUCTURAL JIB CONTACT POINT LOCATED AS LOW AS ALLOWABLE ON THE FRONT OF THE BODY IS REQUIRED.

2.) WELD HOOK GUARD TO BODY OR ADD STRUCTURAL SUPPORT AS NEEDED FOR THE APPLICATION.

3.) THIS DRAWING PROVIDES THE CRITICAL SUB-FRAME DIMENSIONS FOR COMPATABILITY WITH THE SWAPLOADER HOOK LIFT HOIST. IT IS THE SUB-FRAME SUPPLIERS RESPONSIBILITY TO PROVIDE A SUB-FRAME OF SUFFICIENT CAPACITY WHICH PROPERLY SUPPORTS THE BODY/CONTAINER WHEN USED WITH THE HOOK LIFT HOIST.

100 SERIES SUB-FRAME DIMENSIONS	
HOIST COMPATABILITY	A
SL-95/105	82 1/2" [2096 mm]
SL-125/145/180/185	95 1/2" [2418 mm]

 U.S.A. LTD.		
TITLE 100 SERIES SUB-FRAMES		
DRAWING NO. S-933	MODEL NO.	REV A