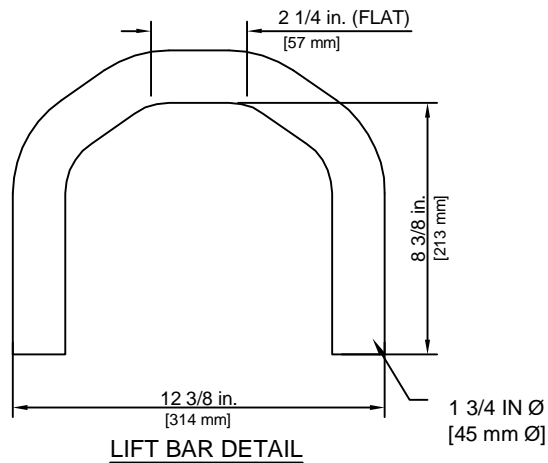
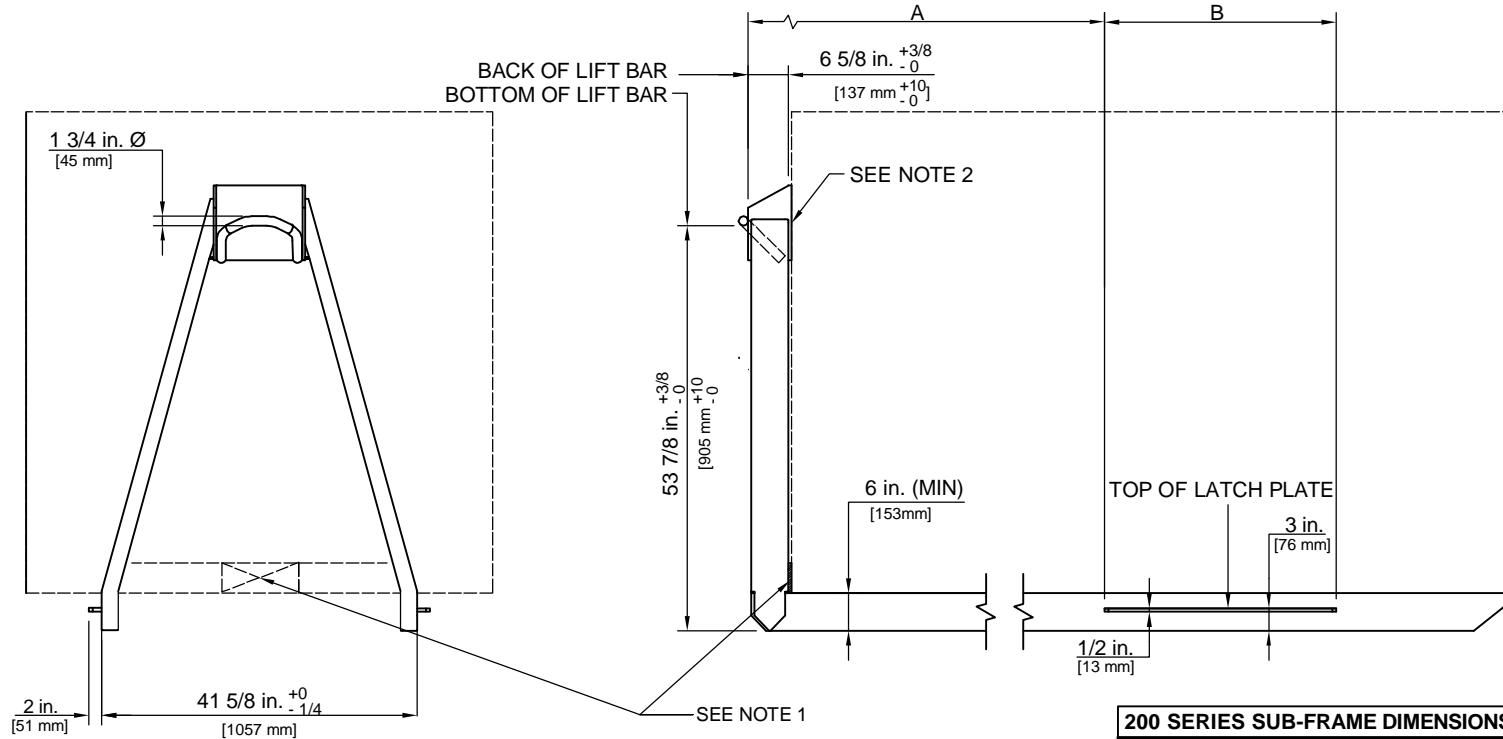


An EFCO Company

SWAPLOADER[®]

"Hooked on Quality" U.S.A. LTD.

200 SERIES SUB-FRAME CRITICAL DIMENSIONS



200 SERIES SUB-FRAME DIMENSIONS

HOIST COMPATABILITY	A	B
SL-2418HD	84 1/8" [2137 mm]	24" [610 mm]
SL-225	110 3/4" [2813 mm]	36" [915 mm]
SL-180/185/212/240	111 3/4" [2839 mm]	48" [1220 mm]
SL-205	122 3/4" [3118 mm]	36" [915 mm]
SL-220/222	123 3/4" [3143 mm]	48" [1220 mm]

NOTES

1.) A STRUCTURAL JIB CONTACT POINT LOCATED AS LOW AS ALLOWABLE ON THE FRONT OF THE BODY IS REQUIRED.

2.) WELD HOOK GUARD TO BODY OR ADD STRUCTURAL SUPPORT AS NEEDED FOR THE APPLICATION.

3.) THIS DRAWING PROVIDES THE CRITICAL SUB-FRAME DIMENSIONS FOR COMPATIBILITY WITH THE SWAPLOADER HOOK LIFT HOIST. IT IS THE SUB-FRAME SUPPLIERS RESPONSIBILITY TO PROVIDE A SUB-FRAME OF SUFFICIENT CAPACITY WHICH PROPERLY SUPPORTS THE BODY/CONTAINER WHEN USED WITH THE HOOK LIFT HOIST.

SWAPLOADER[™]
U.S.A. LTD.

TITLE
200 SERIES SUB-FRAMES

DRAWING NO. S-934	MODEL NO.	REV B
-----------------------------	-----------	-----------------