



An EFCO Company

# SWAPLOADER<sup>®</sup>

"Hooked on Quality"

U.S.A. LTD.

## PRESS RELEASE

# ANNOUNCING THE NEW SWAPLOADER SL-212 HOOK LIFT HOIST

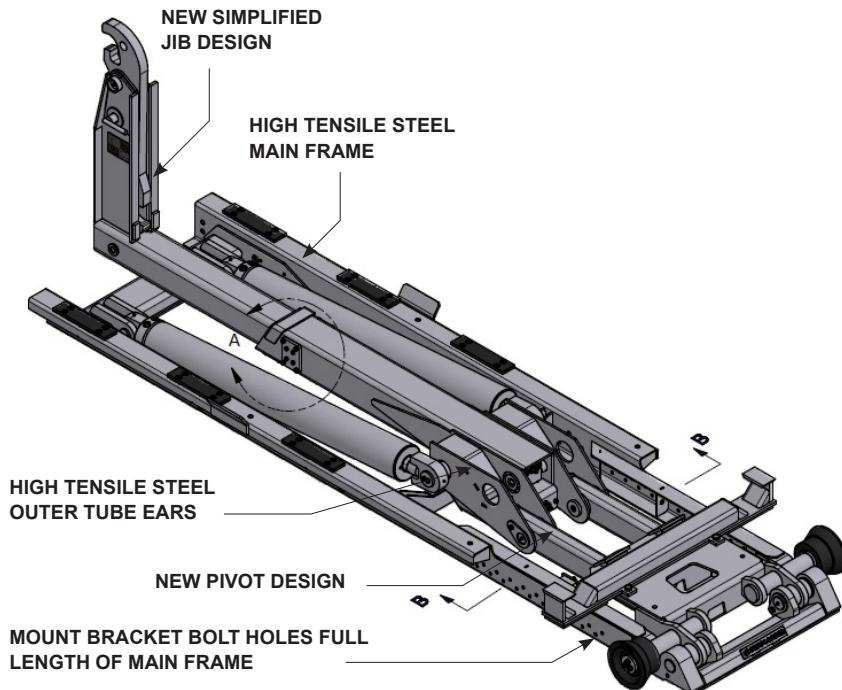
SwapLoader is pleased to announce our newest hoist to our product line-up, the **new SL-212** Hook Lift Hoist.

### THE NEW SL-212 FEATURES INCLUDE:

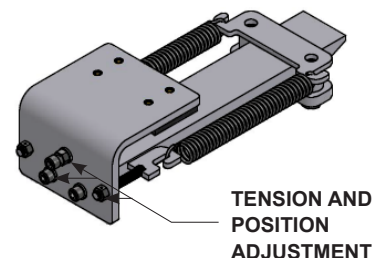
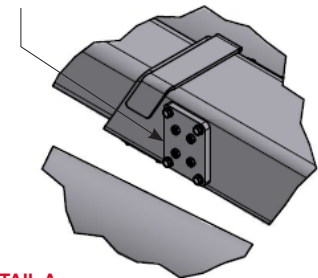
- 20,000 dump / lift capacity.
- Fixed 35 5/8" hook height or Adjustable Jib option from 35 5/8" to 53 7/8" hook heights.
- 9% weight reduction from the SL-185.
- Optimum body lengths 12' – 14'.
- New high tensile steel mainframe with bolt on mount bracket holes running the whole length (no welding required).
- New outer tube design featuring high tensile steel and wear pads accessible without removing the jib.
- New simplified low maintenance safety latch design.
- Optional Electric Over Hydraulic Valve (EHV).

We believe the SL-212 will be an excellent addition to our product offering that will open up new opportunities in the class 6 and 7 vocational truck market.

Please contact a SwapLoader Regional Sales Manager or visit the SwapLoader web site at [www.swaploader.com](http://www.swaploader.com) for further information.



### OUTER TUBE WEAR PAD ACCESSIBILITY



DETAIL B: Safety Latch Assembly