



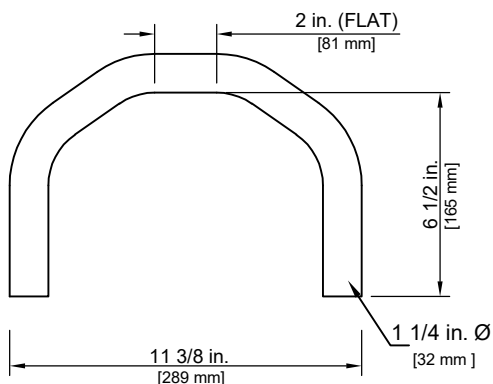
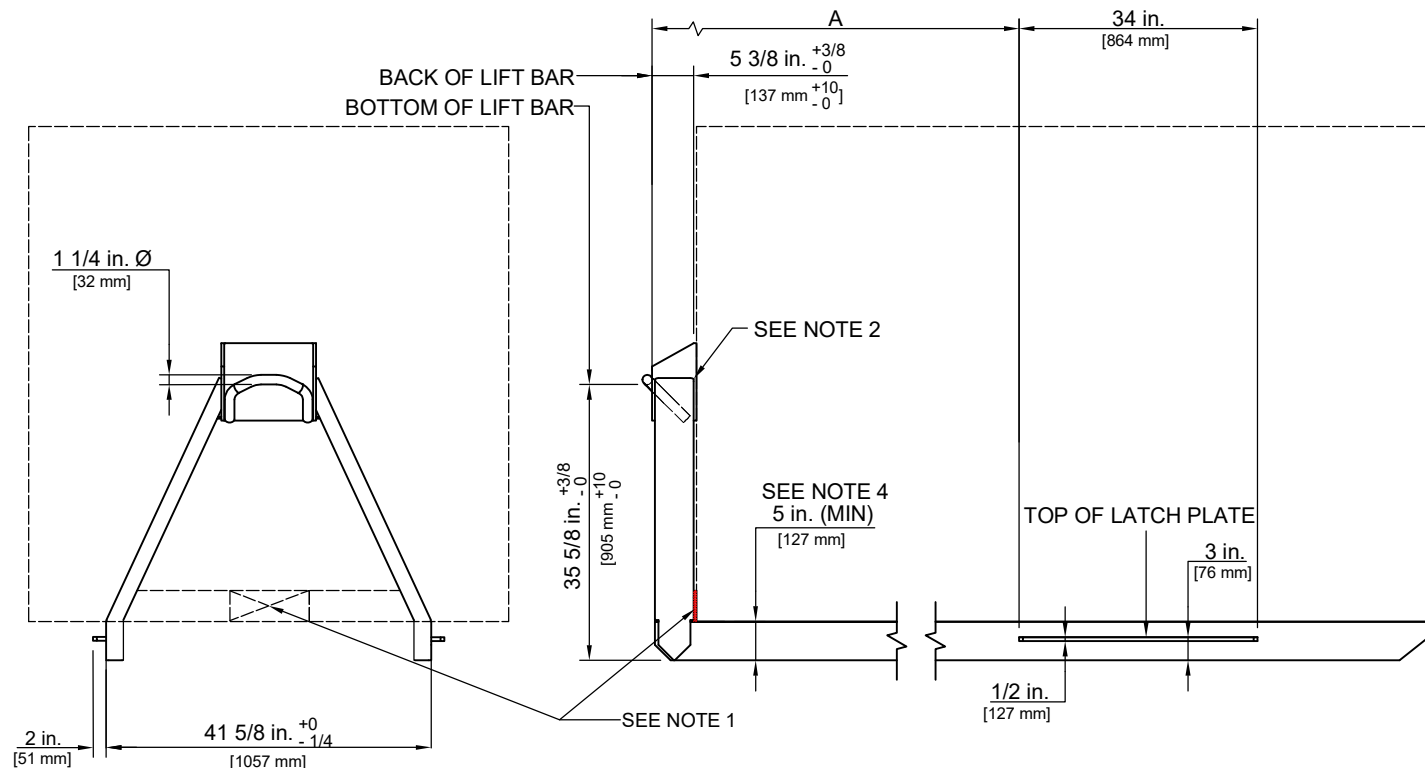
An EFCO Company

SWAPLOADER®

"Hooked on Quality"

U.S.A. LTD.

100 SERIES 35 5/8" SUB-FRAME CRITICAL DIMENSIONS



LIFT BAR DETAIL

100 SERIES SUB-FRAME DIMENSIONS	
HOIST COMPATABILITY	A
SL-95/105/75	82 1/2" [2096 mm]
SL-125/145/160/180/185/212/214	95 1/2" [2418 mm]

NOTES

- 1.) A STRUCTURAL JIB CONTACT POINT LOCATED AS LOW AS ALLOWABLE ON THE FRONT OF THE BODY IS REQUIRED.
- 2.) WELD HOOK GUARD TO BODY OR ADD STRUCTURAL SUPPORT AS NEEDED FOR THE APPLICATION.
- 3.) THIS DRAWING PROVIDES THE CRITICAL SUB-FRAME DIMENSIONS FOR COMPATABILITY WITH THE SWAPLOADER HOOK LIFT HOIST. IT IS THE SUB-FRAME SUPPLIERS RESPONSIBILITY TO PROVIDE A SUB-FRAME OF SUFFICIENT CAPACITY WHICH PROPERLY SUPPORTS THE BODY/CONTAINER WHEN USED WITH THE HOOK LIFT HOIST.
- 4.) SWAPLOADER MANUFACTURED 100 SERIES A-FRAMES REQUIRE A 5 INCH LONGSILL HEIGHT.

100 SERIES SUB-FRAMES

DRAWING NO. S-933	MODEL NO.	REV F
-----------------------------	-----------	-----------------

S-933 7/20/21