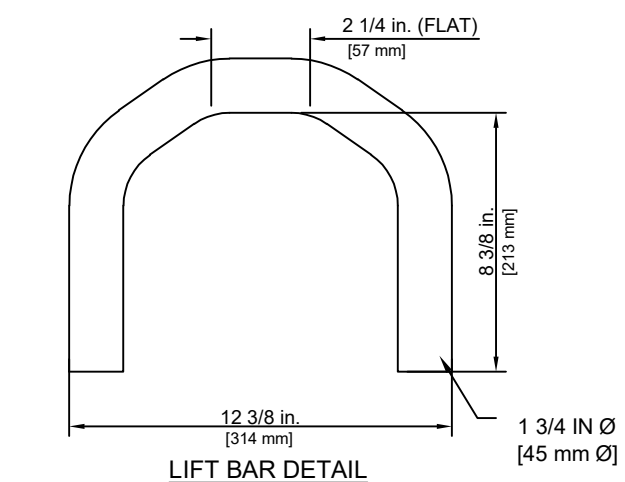
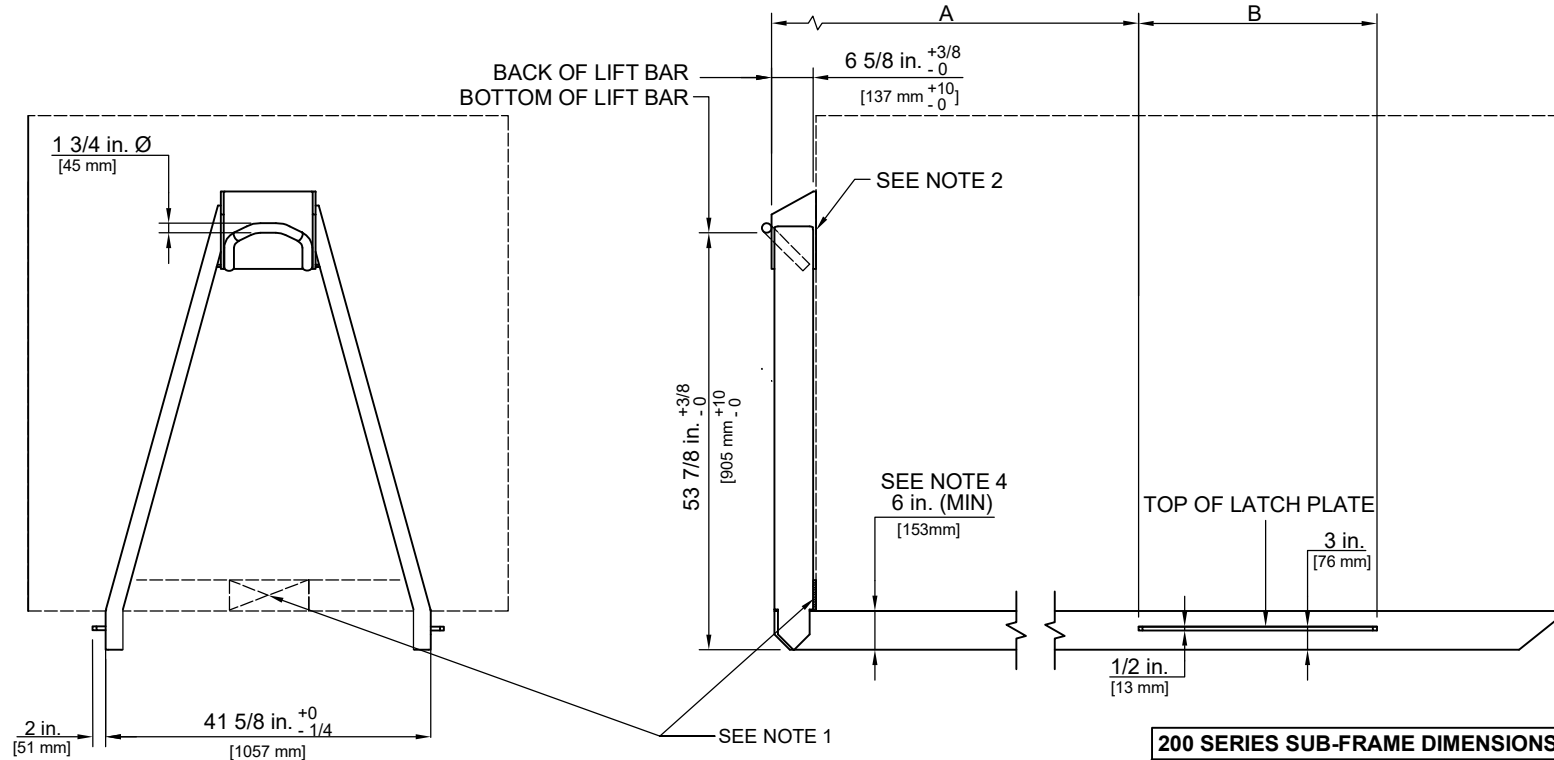


An EFCO Company

# SWAPLOADER®

"Hooked on Quality" U.S.A. LTD.

## 200 SERIES 53 7/8" SUB-FRAME CRITICAL DIMENSIONS



200 SERIES SUB-FRAME DIMENSIONS		
HOIST COMPATABILITY	A	B
SL-2418HD	84 1/8" [2137 mm]	24" [610 mm]
SL-225	110 3/4" [2813 mm]	36" [915 mm]
SL-160/180/185/212/214/240	111 3/4" [2839 mm]	48" [1220 mm]
SL-205	122 3/4" [3118 mm]	36" [915 mm]
SL-220/222	123 3/4" [3143 mm]	48" [1220 mm]

**NOTES**

- 1.) A STRUCTURAL JIB CONTACT POINT LOCATED AS LOW AS ALLOWABLE ON THE FRONT OF THE BODY IS REQUIRED.
- 2.) WELD HOOK GUARD TO BODY OR ADD STRUCTURAL SUPPORT AS NEEDED FOR THE APPLICATION.
- 3.) THIS DRAWING PROVIDES THE CRITICAL SUB-FRAME DIMENSIONS FOR COMPATABILITY WITH THE SWAPLOADER HOOK LIFT HOIST. IT IS THE SUB-FRAME SUPPLIERS RESPONSIBILITY TO PROVIDE A SUB-FRAME OF SUFFICIENT CAPACITY WHICH PROPERLY SUPPORTS THE BODY/CONTAINER WHEN USED WITH THE HOOK LIFT HOIST.
- 4.) SWAPLOADER MANUFACTURED 200 SERIES A-FRAMES REQUIRE A 6 INCH LONGSILL HEIGHT.

**SWAPLOADER™**  
U.S.A. LTD.

**TITLE**  
200 SERIES SUB-FRAMES

<b>DRAWING NO.</b> S-934	<b>MODEL NO.</b>	<b>REV</b> F
-----------------------------	------------------	-----------------

S-934 7/20/21