

An EFCO Company

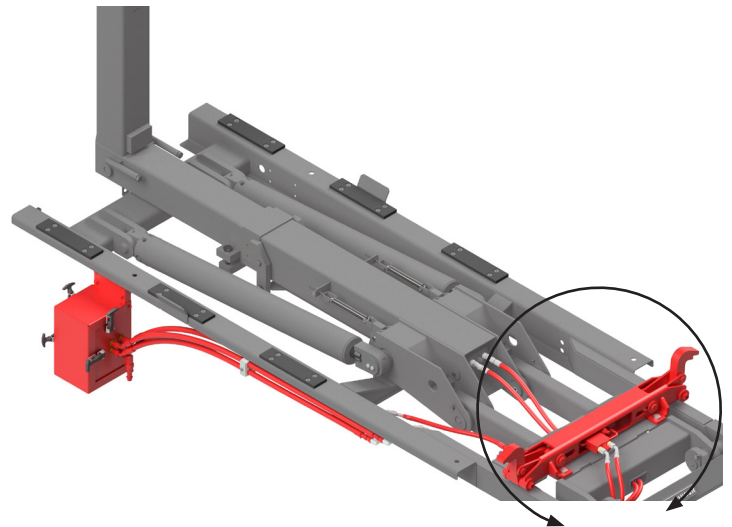
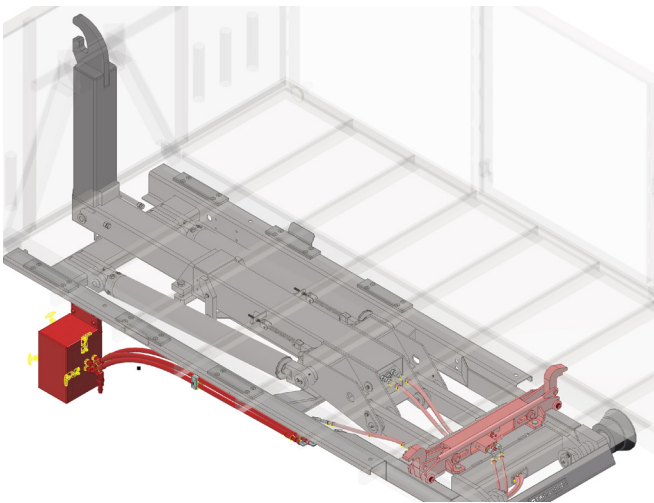
**SWAPLOADER**<sup>®</sup>  
"Hooked on Quality"  
U.S.A. LTD.









RELEASE DATE:  
**JULY**

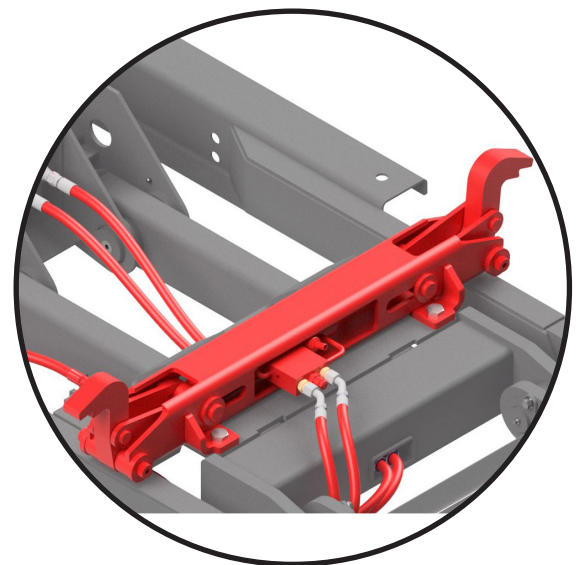
## SALES BULLETIN

**TOPIC: ANNOUNCING THE NEW 100 SERIES UNIVERSAL BODY LOCK (U-Lock)**  
**TO: ALL SWAPLOADER DISTRIBUTORS**

SwapLoader is pleased to announce the release of our Universal Body Lock (U-Lock), designed for the 100 series hoists. The U-Lock is designed to allow for the conversion of competitive hook lift users to Swaploader.



-  Designed for the securement of bodies/containers not built to SwapLoader Specifications
-  Designed for bodies with 5" & 6" long sill heights
-  U-Lock hydraulic cylinder has a built-in counterbalance valve
-  Includes an in-cab indicator light to notify driver of the U-Lock engagement
-  Simple to use; can engage in partially extended jib position as long as the mast lock is engaged
-  Can be used with either pneumatic/manual controls or with an Electric Over Hydraulic Valve (EHV) option
-  Bolt on design
-  Patent pending



U-Lock