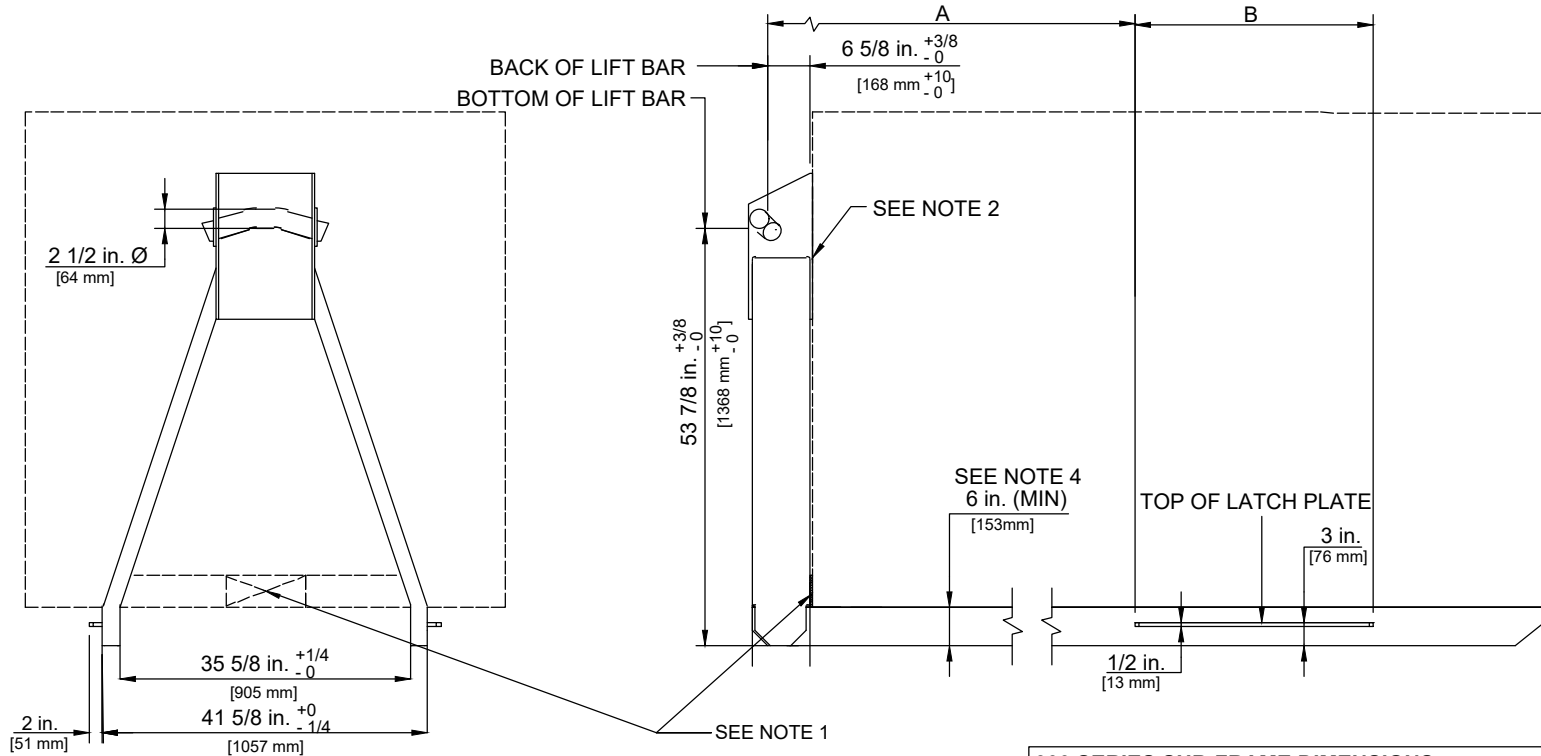




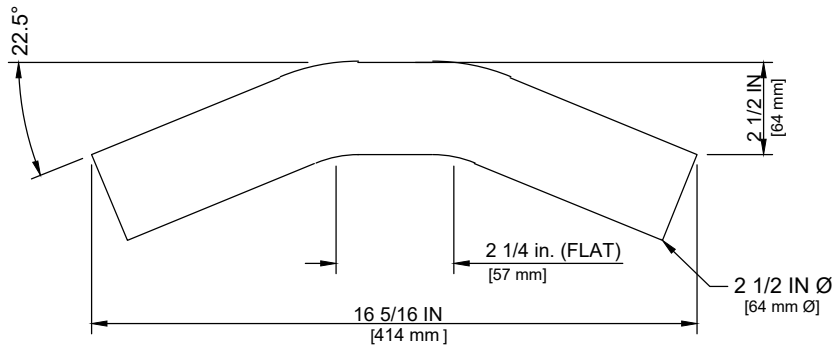
An EFCO Company

**SWAPLOADER**<sup>®</sup>  
 "Hooked on Quality"  
 U.S.A. LTD.

# 300 SERIES 53 7/8" SUB-FRAME CRITICAL DIMENSIONS



300 SERIES SUB-FRAME DIMENSIONS		
HOIST COMPATABILITY	A	B
SL-160/180/185/212/214/240/330/400/412	111 3/4" [2839 mm]	36" [915 mm]
SL-205/220/222/406/518	123 3/4" [3143 mm]	48" [1220 mm]
SL-520	154 1/2" [3925 mm]	48" [1220 mm]



LIFT BAR DETAIL

**NOTES**

- 1.) A STRUCTURAL JIB CONTACT POINT LOCATED AS LOW AS ALLOWABLE ON THE FRONT OF THE BODY IS REQUIRED.
- 2.) WELD HOOK GUARD TO BODY OR ADD STRUCTURAL SUPPORT AS NEEDED FOR THE APPLICATION.
- 3.) THIS DRAWING PROVIDES THE CRITICAL SUB-FRAME DIMENSIONS FOR COMPATABILITY WITH THE SWAPLOADER HOOK LIFT HOIST. IT IS THE SUB-FRAME SUPPLIERS RESPONSIBILITY TO PROVIDE A SUB-FRAME OF SUFFICIENT CAPACITY WHICH PROPERLY SUPPORTS THE BODY/CONTAINER WHEN USED WITH THE HOOK LIFT HOIST.
- 4.) SWAPLOADER MANUFACTURED 300 SERIES A-FRAMES REQUIRE A 6 INCH LONGSILL HEIGHT.

**SWAPLOADER**<sup>™</sup>  
 U.S.A. LTD.

TITLE  
**300 SERIES SUB-FRAMES**

DRAWING NO. **S-935** MODEL NO. REV **H**

S-935 2/3/23