

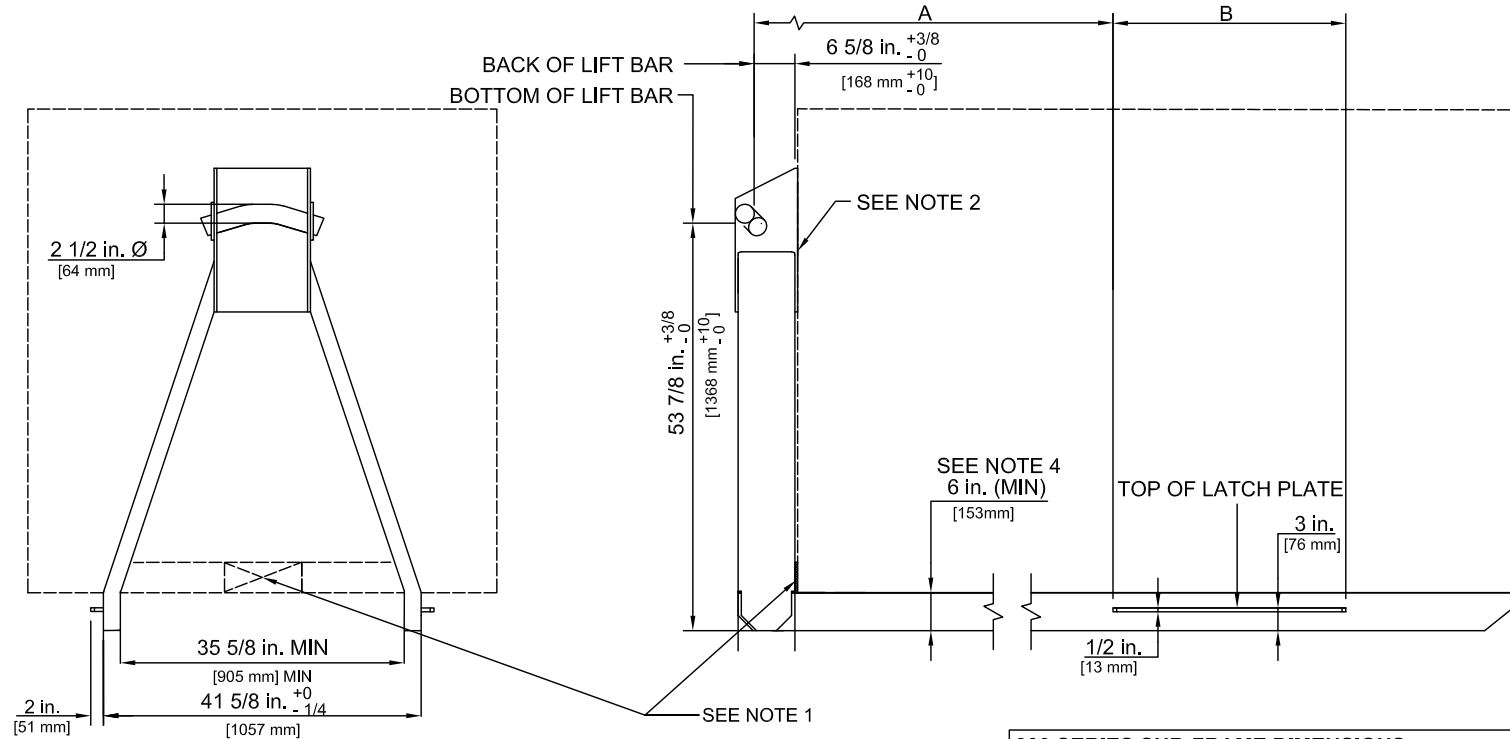


An EFCO Company

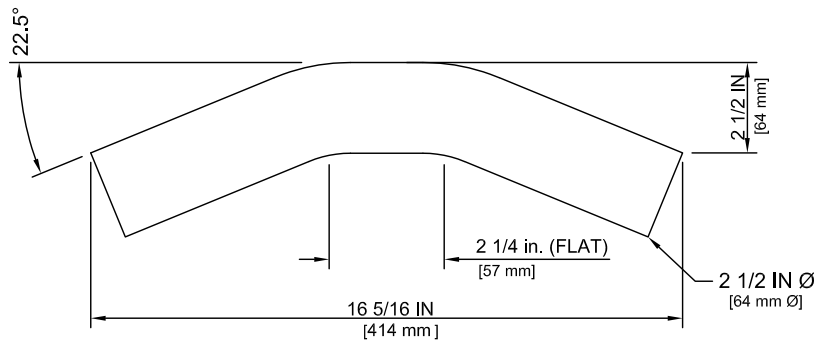
SWAPLOADER[®]

"Hooked on Quality" U.S.A. LTD.

300 SERIES 53 7/8" SUB-FRAME CRITICAL DIMENSIONS



300 SERIES SUB-FRAME DIMENSIONS		
HOIST COMPATABILITY	A	B
SL-160/180/185/212/214/240/330/400/412	111 3/4" [2839 mm]	36" [915 mm]
SL-205/220/222/406/518	123 3/4" [3143 mm]	48" [1220 mm]
SL-520/520X	154 1/2" [3925 mm]	48" [1220 mm]



LIFT BAR DETAIL

NOTES

1.) A STRUCTURAL JIB CONTACT POINT LOCATED AS LOW AS ALLOWABLE ON THE FRONT OF THE BODY IS REQUIRED.

2.) WELD HOOK GUARD TO BODY OR ADD STRUCTURAL SUPPORT AS NEEDED FOR THE APPLICATION.

3.) THIS DRAWING PROVIDES THE CRITICAL SUB-FRAME DIMENSIONS FOR COMPATABILITY WITH THE SWAPLOADER HOOK LIFT HOIST. IT IS THE SUB-FRAME SUPPLIERS RESPONSIBILITY TO PROVIDE A SUB-FRAME OF SUFFICIENT CAPACITY WHICH PROPERLY SUPPORTS THE BODY/CONTAINER WHEN USED WITH THE HOOK LIFT HOIST.

4.) SWAPLOADER MANUFACTURED 300 SERIES A-FRAMES REQUIRE A 6 INCH LONGSILL HEIGHT.

SWAPLOADER[™]
U.S.A. LTD.

TITLE
300 SERIES SUB-FRAMES

DRAWING NO. S-935	MODEL NO.	REV I
----------------------	-----------	----------