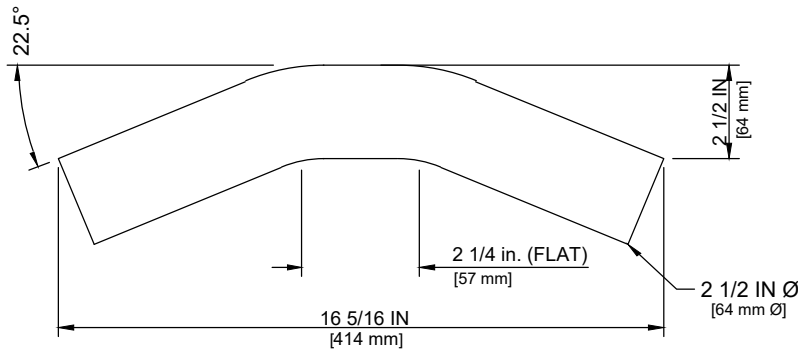
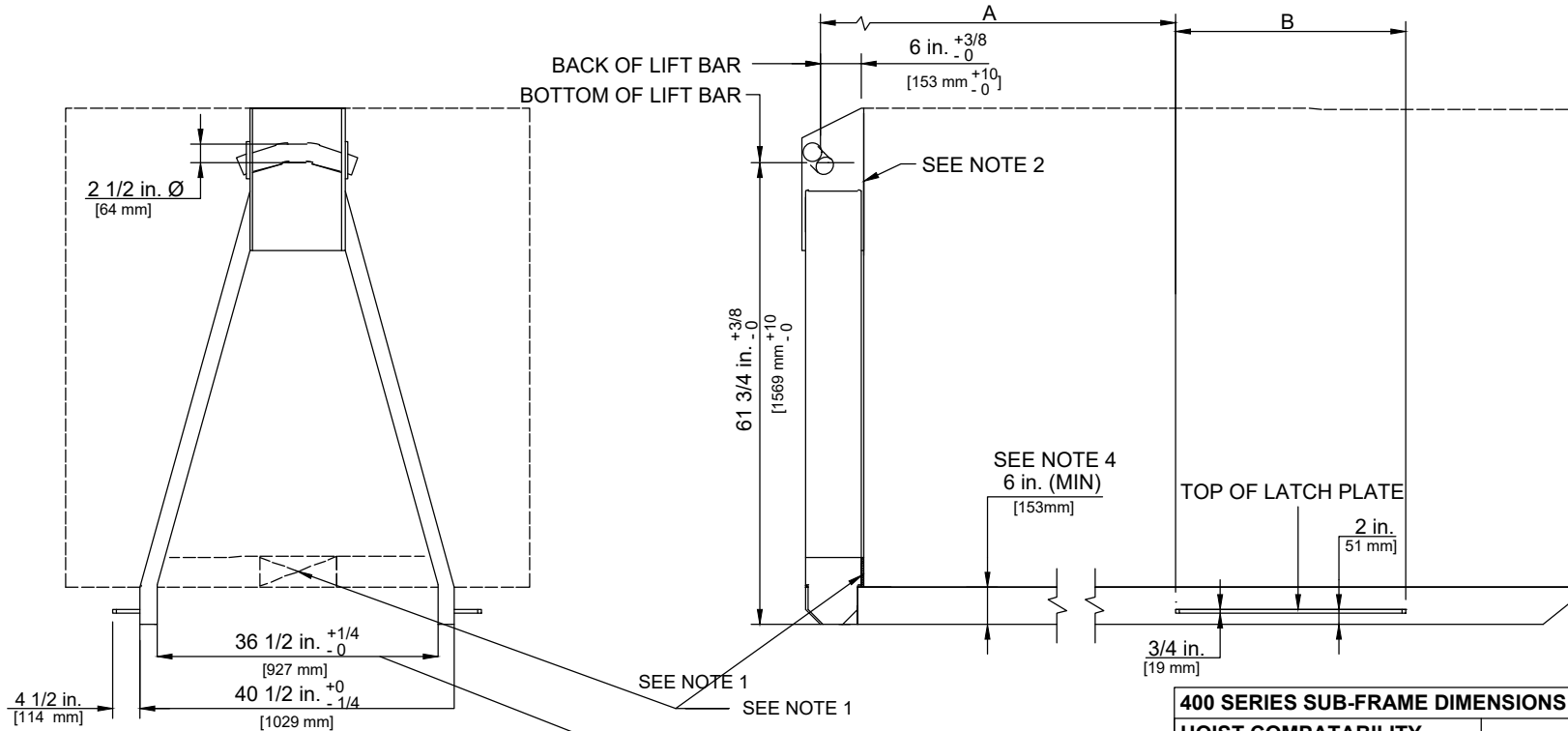




An EFCO Company

SWAPLOADER[®]
"Hooked on Quality"
 U.S.A. LTD.

400 SERIES 61 3/4" SUB-FRAME CRITICAL DIMENSIONS



LIFT BAR DETAIL

400 SERIES SUB-FRAME DIMENSIONS

HOIST COMPATABILITY	A	B
SL-412	111 3/4" [2839 mm]	36" [915 mm]
* SL-240/330/400	123 3/4" [3143 mm]	36" [915 mm]
* SL-220/222/405/406/518/545	132 1/8" [3356 mm]	48" [1220 mm]
* SL-375/505/520/650/655	154 1/2" [3925 mm]	48" [1220 mm]

* MAY INCLUDE BODY LOCK WITH SHELF ASSEMBLY. REFER TO NOTE 5.

NOTES

1. A STRUCTURAL JIB CONTACT POINT LOCATED AS LOW AS ALLOWABLE ON THE FRONT OF THE BODY IS REQUIRED.
2. WELD HOOK GUARD TO BODY OR ADD STRUCTURAL SUPPORT AS NEEDED FOR THE APPLICATION.
3. THIS DRAWING PROVIDES THE CRITICAL SUB-FRAME DIMENSIONS FOR COMPATABILITY WITH THE SWAPLOADER HOOK LIFT HOIST. IT IS THE SUB-FRAME SUPPLIERS RESPONSIBILITY TO PROVIDE A SUB-FRAME OF SUFFICIENT CAPACITY WHICH PROPERLY SUPPORTS THE BODY/CONTAINER WHEN USED WITH THE HOOK LIFT HOIST.
4. SWAPLOADER MANUFACTURED 400 SERIES A-FRAMES REQUIRE A 8 INCH LONGSILL HEIGHT.
5. MINIMUM DIMENSION ALLOWABLE FOR USE WITH INCLUDED BODY LOCK SHELF ASSEMBLY.



TITLE 400 SERIES SUB-FRAMES		
DRAWING NO. S-936	MODEL NO.	REV F

S-936 2/3/23