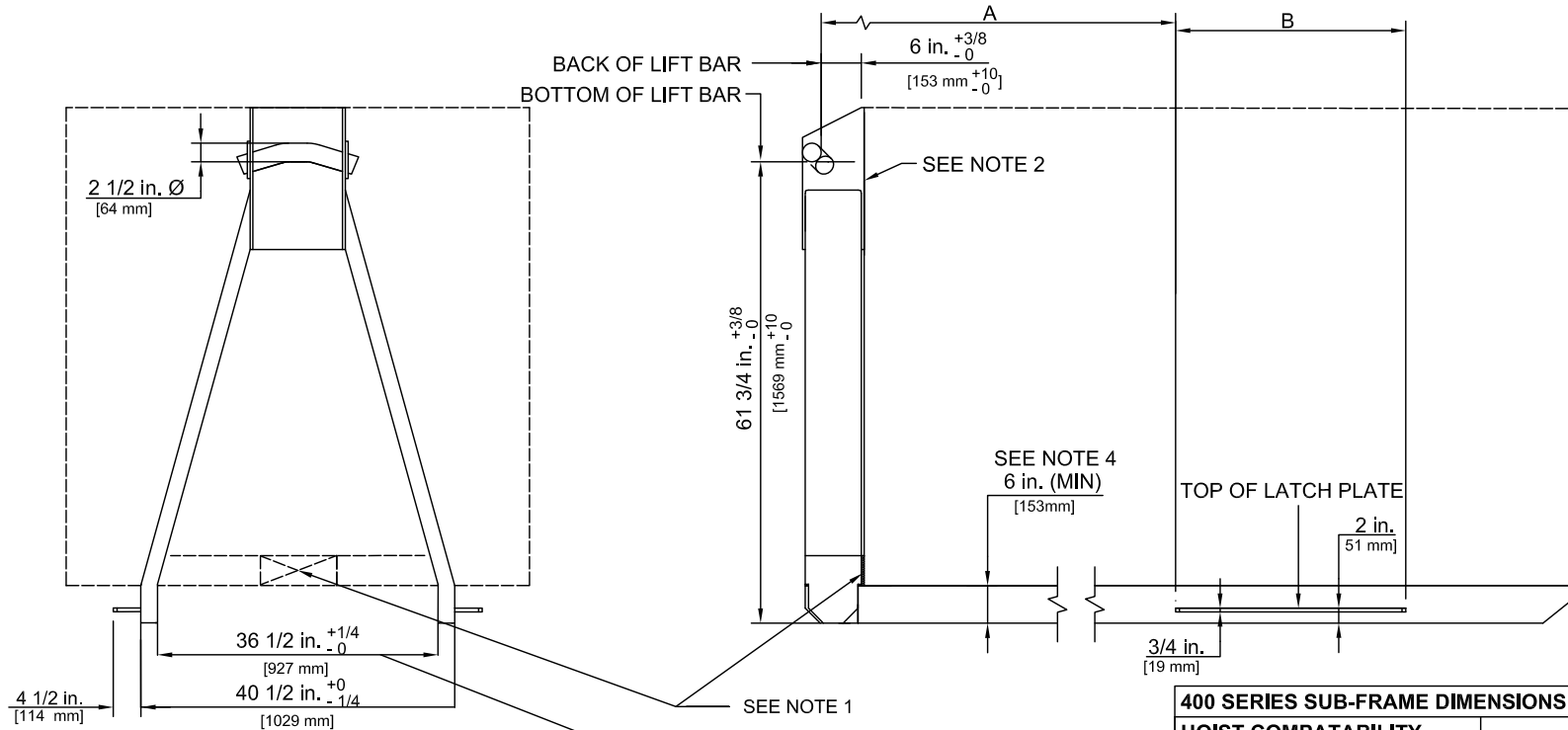




An EFCO Company

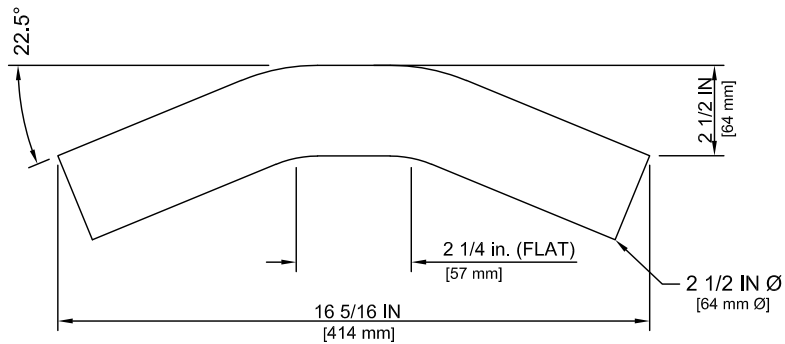
SWAPLOADER[®]
"Hooked on Quality"
 U.S.A. LTD.

400 SERIES 61 3/4" SUB-FRAME CRITICAL DIMENSIONS



400 SERIES SUB-FRAME DIMENSIONS		
HOIST COMPATABILITY	A	B
SL-412	111 3/4" [2839 mm]	36" [915 mm]
* SL-240/330/400	123 3/4" [3143 mm]	36" [915 mm]
* SL-220/222/406/518/545	132 1/8" [3356 mm]	48" [1220 mm]
* SL-505/520/520X/650/655	154 1/2" [3925 mm]	48" [1220 mm]

* MAY INCLUDE BODY LOCK WITH SHELF ASSEMBLY. REFER TO NOTE 5.



LIFT BAR DETAIL

NOTES

1. A STRUCTURAL JIB CONTACT POINT LOCATED AS LOW AS ALLOWABLE ON THE FRONT OF THE BODY IS REQUIRED.
2. WELD HOOK GUARD TO BODY OR ADD STRUCTURAL SUPPORT AS NEEDED FOR THE APPLICATION.
3. THIS DRAWING PROVIDES THE CRITICAL SUB-FRAME DIMENSIONS FOR COMPATABILITY WITH THE SWAPLOADER HOOK LIFT HOIST. IT IS THE SUB-FRAME SUPPLIERS RESPONSIBILITY TO PROVIDE A SUB-FRAME OF SUFFICIENT CAPACITY WHICH PROPERLY SUPPORTS THE BODY/CONTAINER WHEN USED WITH THE HOOK LIFT HOIST.
4. SWAPLOADER MANUFACTURED 400 SERIES A-FRAMES REQUIRE A 8 INCH LONGSILL HEIGHT.
5. MINIMUM DIMENSION ALLOWABLE FOR USE WITH INCLUDED BODY LOCK SHELF ASSEMBLY.

SWAPLOADER[™]
 U.S.A. LTD.

TITLE
400 SERIES SUB-FRAMES

DRAWING NO. S-936	MODEL NO.	REV G
-----------------------------	-----------	-----------------